



Simply plug and charge. RFID compatible, no internet connection or software required. Offering up to 40A charging power and is the perfect EV charging solution for residential and commercial applications. Pedestals and mounting options are all made in the USA.



- ▶ 40A/9.6kW max output can be adjusted to 32A or 24A.
- ▶ RFID compatible (5 RFID cards included with charger).
- ▶ Sleek, compact, rugged housing, for indoor & outdoor use.
- ▶ Mount to a wall or breezEV pedestal.
- ▶ Ground fault circuit interrupter (GFCI) included for safe and easy wiring.



5 RFID CARDS INCLUDED w/ CHARGER



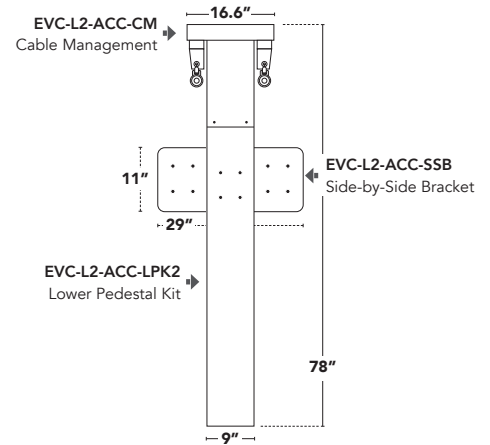
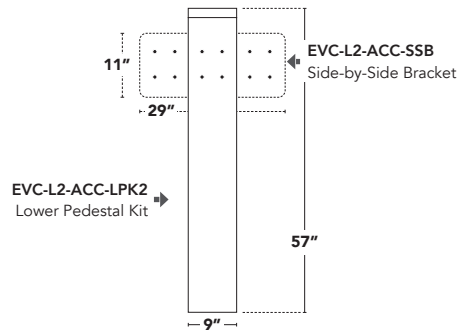
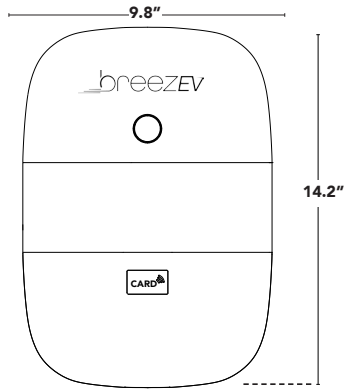
ALL-IN-ONE KIT (INCLUDES CHARGER W/ 10AWG, 40A CABLE, 5 RFID CARDS)

PART #	CHRG AMPS	CONNECTOR	NETWORK	OCPP SOFTWARE	CABLE LENGTH	UNIT DIMENSIONS
EVC-L2-R40-18	UP TO 40A	SAE J1772	RFID	NA	18FT	9.8" x 14.2" x 3.9"
EVC-L2-R40-25					25FT	

**Light Efficient Design**

847.380.3540 • led-llc.com • sales@led-llc.com





### IN THE BOX



18 OR 25 FT OUTPUT CORD  
W/ SAE J1772 CONNECTOR



5 RFID CARDS

MOUNTING HARDWARE  
+ INSTRUCTIONS

PART #	DESCRIPTION	PART #	DESCRIPTION
<b>PEDESTALS / ACCESSORIES</b>			
EVC-L2-ACC-LPK2	LOWER PEDESTAL KIT FOR L2 CHARGER	EVC-L2-ACC-CM	CABLE MGMT FOR PEDESTAL W/ 2 RETRACTORS
EVC-L2-ACC-ANCHOR KIT WET	WET CONCRETE ANCHOR KIT	EVC-L2-ACC-CM1	CABLE MGMT FOR PEDESTAL W/ 1 RETRACTOR
EVC-L2-ACC-MAKE READY BASE	CHARGING STATION FOUNDATION	EVC-L2-ACC-CMR	CABLE RETRACTOR W/ SPRING LOADED TETHER
		EVC-L2-ACC-SSB	BRACKET FOR SIDE-BY-SIDE CHARGERS

### ELECTRICAL PROTECTIONS INCLUDED

OVER CURRENT	UNDER VOLTAGE / OVER VOLTAGE	SHORT CIRCUIT	GROUND FAULT
RESIDUAL CURRENT	SURGE PROTECTION	OVER TEMPERATURE	CURRENT LEAKAGE PROTECTION

## Light Efficient Design

847.380.3540 • led-llc.com • sales@led-llc.com