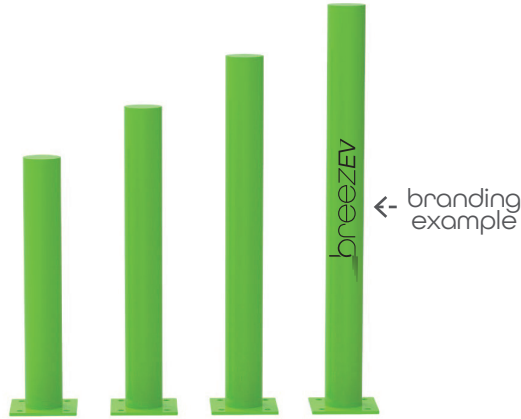


**VEHICLE CHARGERS**



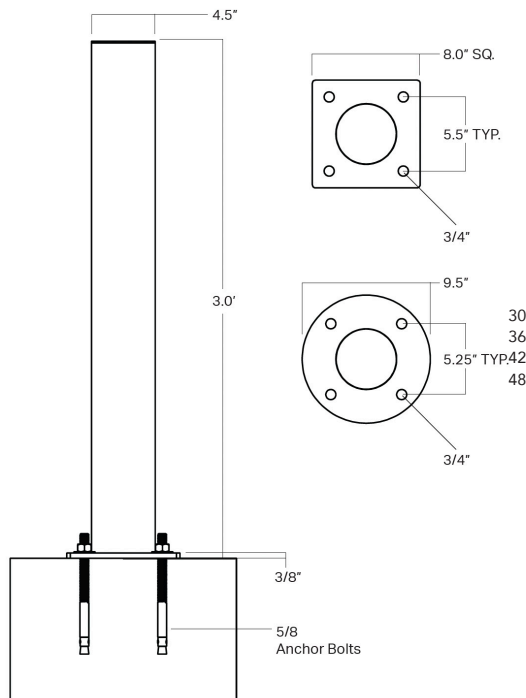
# EV CHARGING SAFETY BOLLARD

Our steel safety bollards are used to control perimeter areas, provide protection against vehicle collision and prevent structural damage to assets.



- > 4" Schedule 40 ANSI Steel Pipe (4.50" O.D.).
- > Bollard available in 30", 36", 42", 48" standard heights.
- > Weight (10.79 lb/ft).
- > Variety of powder coat colors available.
- > Surface mounted with 4 wedge anchor bolts.
- > Option to be filled with concrete during manufacturing.

## DIMENSIONS



## TOP OPTIONS



top cap



top no cap

## BASE OPTIONS



square base



round base

## FINISH

Multi-stage polyester powder-coat process applied on our dedicated paint lines.



## ORDER GUIDE

DESCRIPTION	HEIGHT (INCHES)	TOP	BASEPLATE	FILL	FINISH
EVC-BOL4	30 36 42 48	TC - TOP CAP NC - NO CAP	SQ - SQUARE RD - ROUND	CF - CONCRETE FILL NC - NO CONCRETE	EG - EV GREEN SY - SAFTEY YELLOW OR - ORANGE RD - RED BARON BL - BLUE STREAK CH - CHARCOAL MB - MATTE BLACK